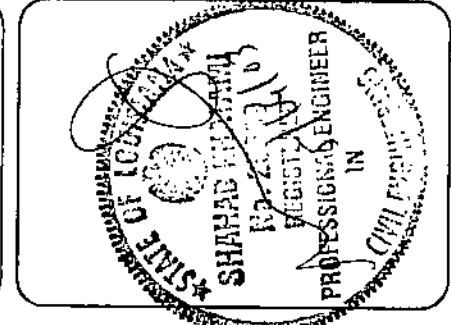


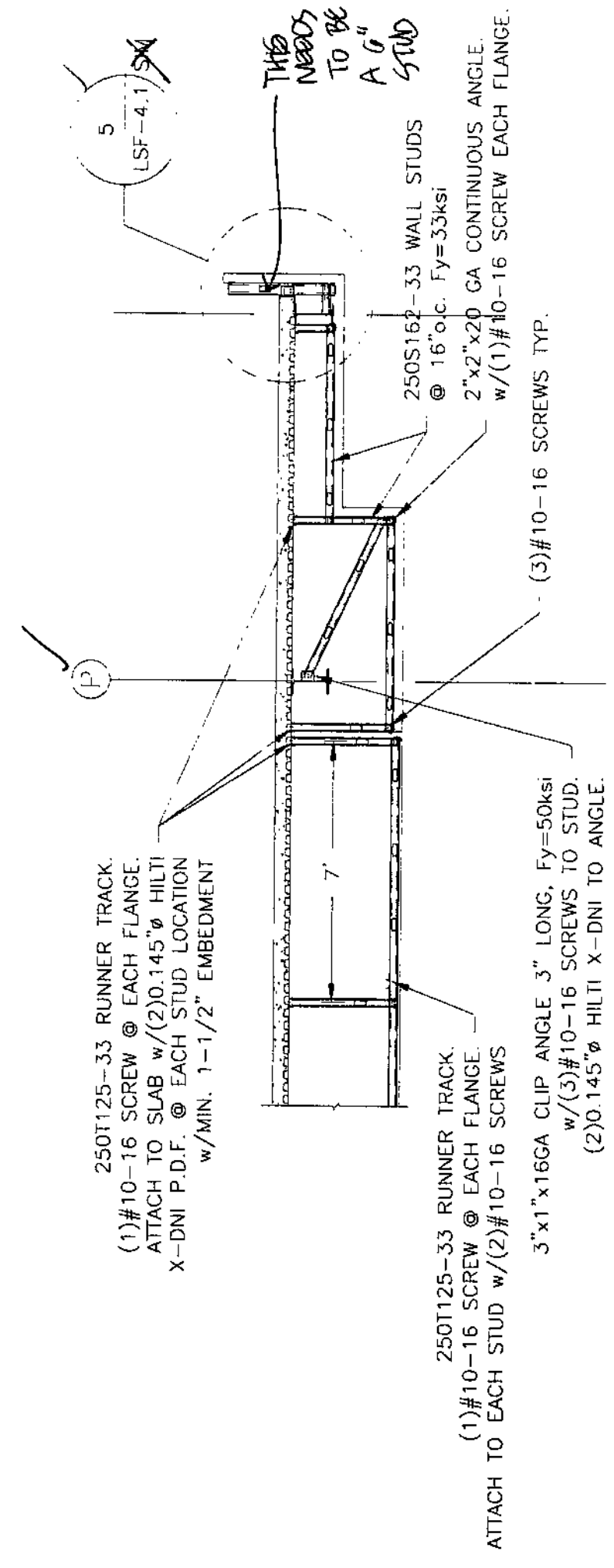
NO.	DESCRIPTION



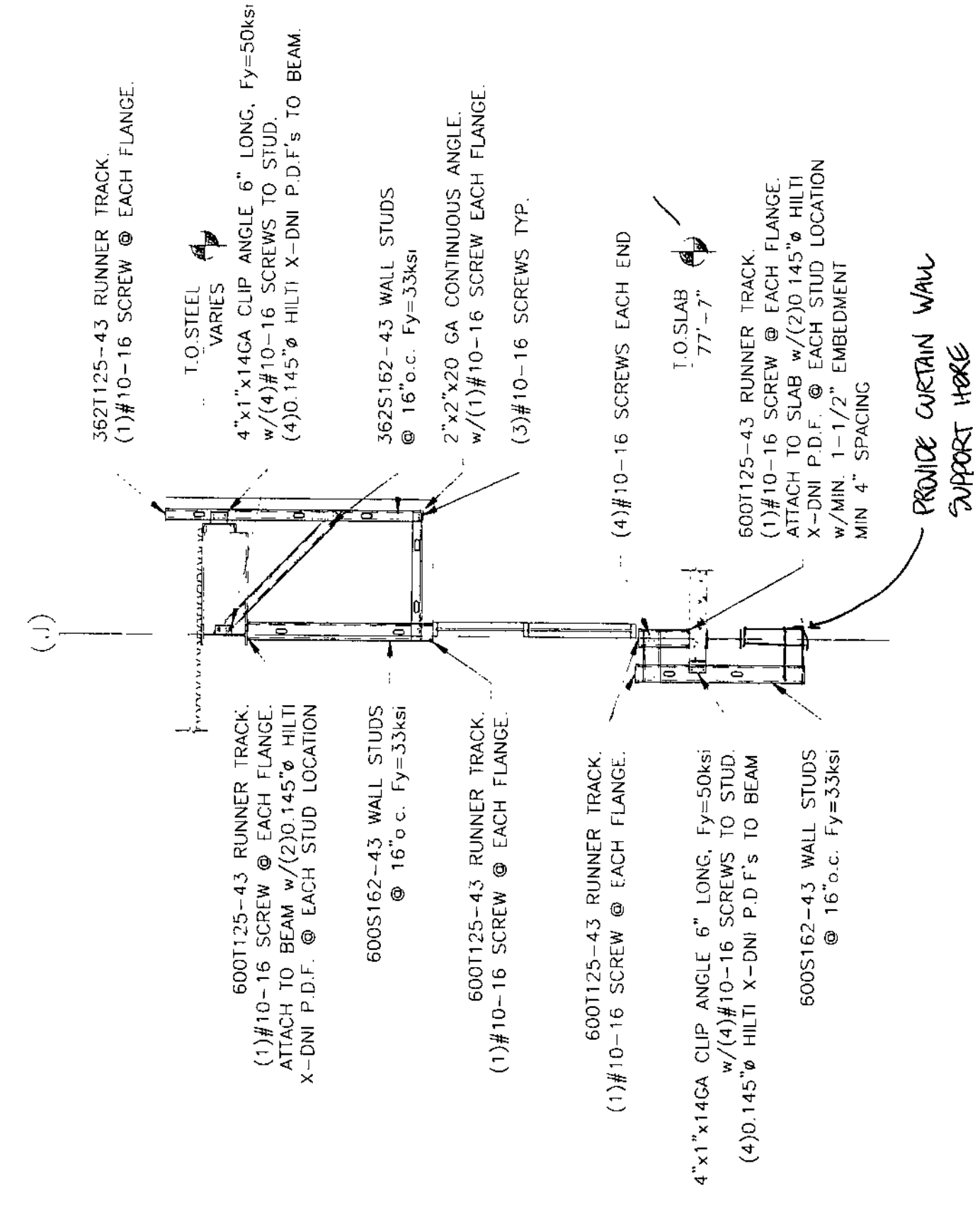
CENTROPLEX
 EXPANSION
 BATON ROUGE, LA
 Prepared For

Structural Design Inc.
 5094 G. 50116
 5094 G. 50116
 5094 G. 50116
 5094 G. 50116

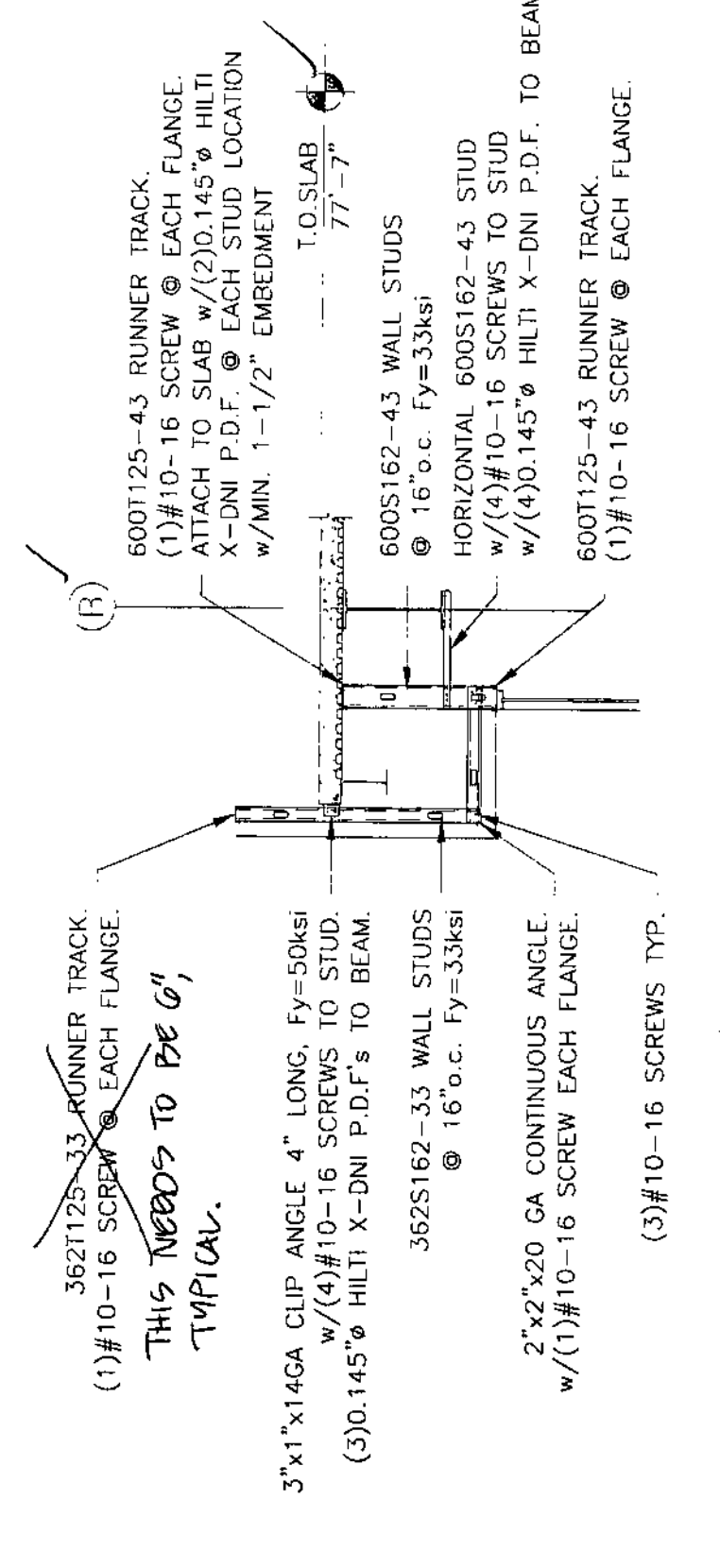
WALL SECTION
 DATE: 2/17/03 SCALE: N.T.S.
 JOB NUMBER: 103040 Dwg. NUMBER: LSF-2.3



3 WALL SECTION
 REF: 3/A7.04

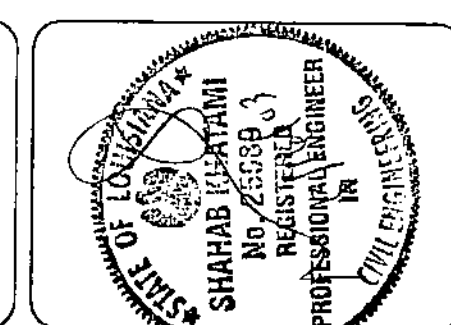


2 WALL SECTION
 REF: 2/A7.04



1 WALL SECTION
 REF: 1/A7.04

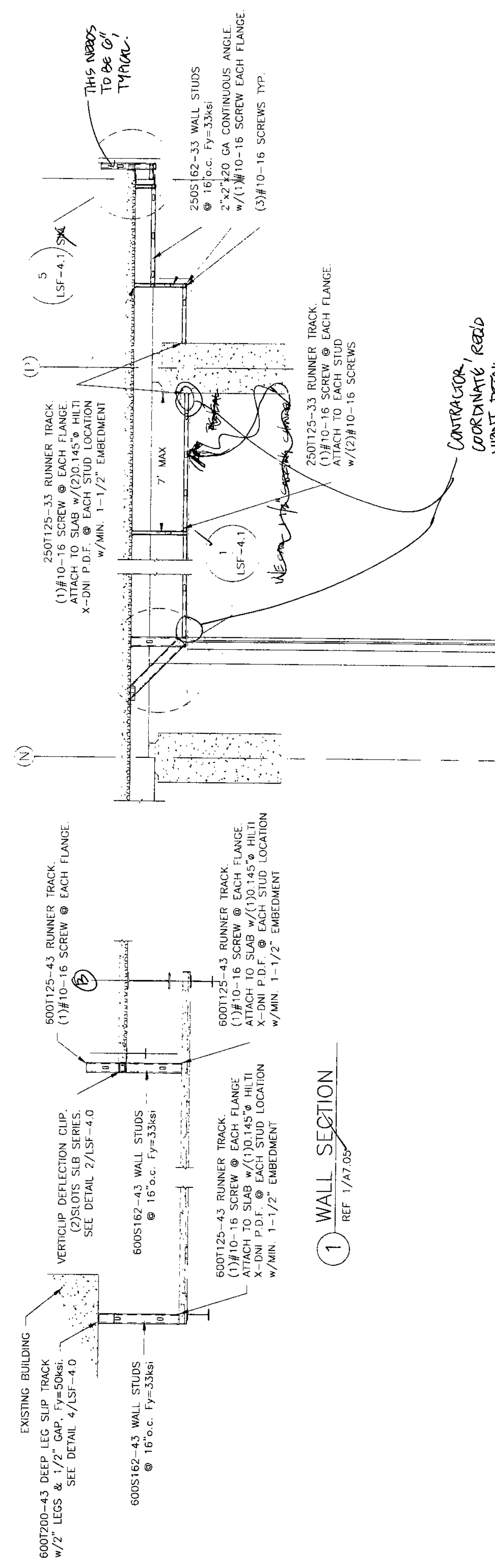
NO.	DESCRIPTION



CENTROPLEX
 EXPANSION
 BATON ROUGE, LA
 Prepared For

Structural Design Inc.
 5094 G. 50116
 5094 G. 50116
 5094 G. 50116
 5094 G. 50116

WALL SECTION
 DATE: 2/17/03 SCALE: N.T.S.
 JOB NUMBER: 103040 Dwg. NUMBER: LSF-2.4



1 WALL SECTION
 REF: 1/A7.05

2 WALL SECTION
 REF: 2/A7.05